

NOTE:

THE METHODS DEPICTED IN THIS DETAIL ARE APPLICABLE TO THE FOLLOWING HENRY WINDOW FLASHING MEMBRANES:

- BLUESKIN BUTYL FLASH
- BLUESKIN SA
- BLUESKIN WB
- METALCLAD



HENRY WINDOW FLASHING MEMBRANES

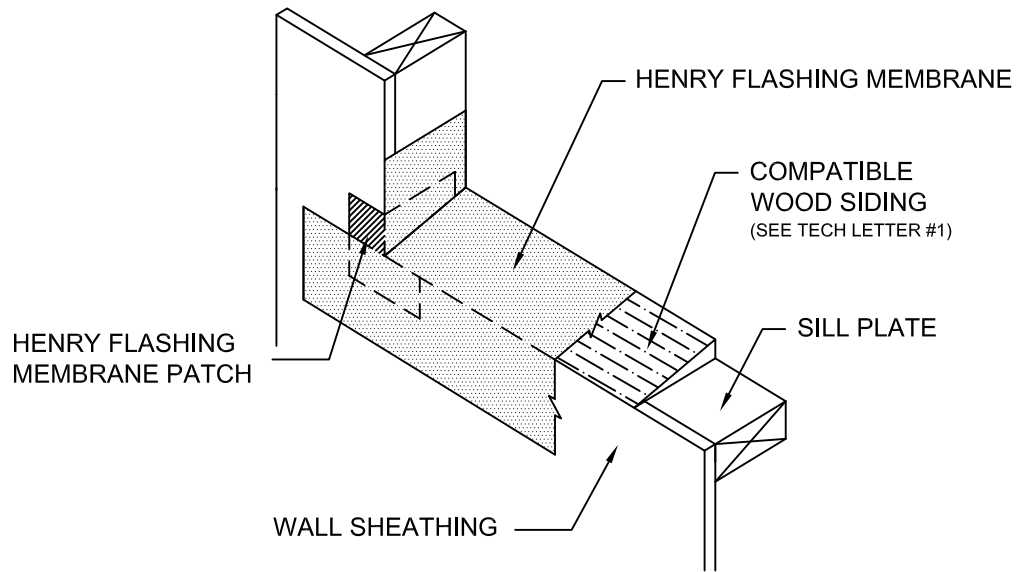
SCALE: N.T.S.

FLANGED WINDOW W/ WATER RESISTIVE BARRIER

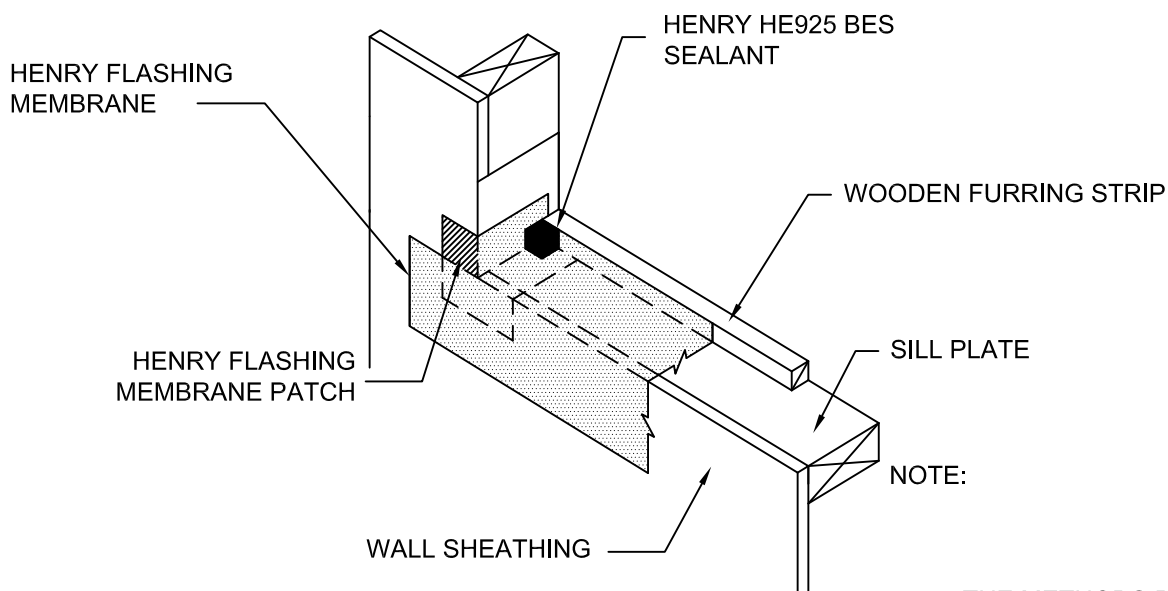
FIT TO PAPER

**WINDOW
FLASHING DETAIL**

HC-WF100



OPTION A



OPTION B

NOTE:

THE METHODS DEPICTED IN THIS DETAIL ARE APPLICABLE TO THE FOLLOWING HENRY WINDOW FLASHING MEMBRANES:

- BLUESKIN BUTYL FLASH
- BLUESKIN SA
- BLUESKIN WB
- METALCLAD



HENRY FLASHING MEMBRANES

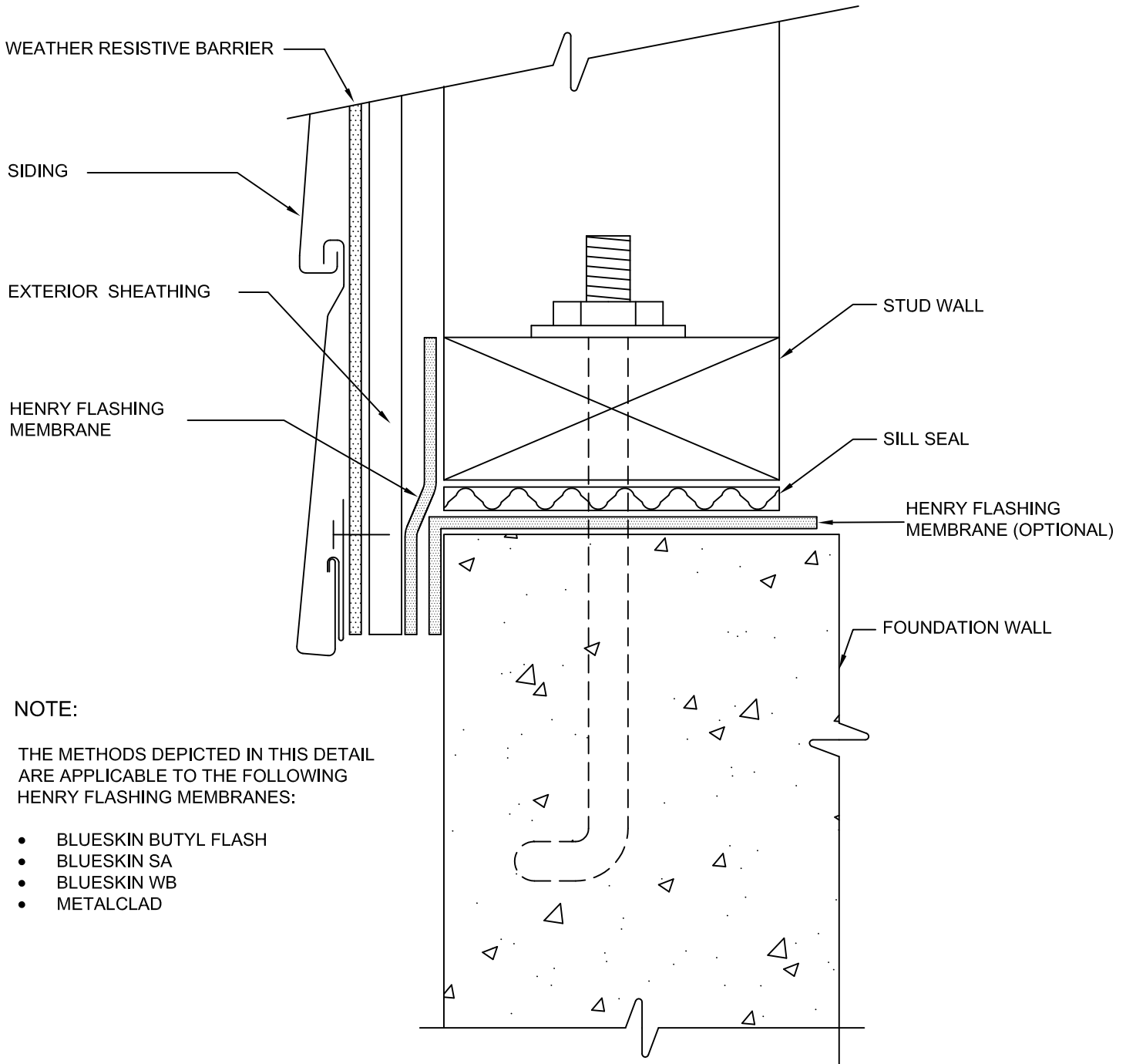
SCALE: N.T.S.

WINDOW SILL PAN OPTIONS

FIT TO PAPER

**WINDOW
FLASHING DETAIL**

HC-WF101



Henry
COMPANY

HENRY FLASHING MEMBRANES

SCALE: N.T.S.

FOUNDATION SILL PLATE

FIT TO PAPER

**SILL
FLASHING DETAIL**

HC-WF102