



## INSTALLATION FOR DECK BOARDS

### CONSIDERATIONS

- Obtain building permits before building.
- Store flat or provide support every 2 ft. Materials are heavier than traditional wood, so handle with care.
- It is not recommended that you paint or stain deck materials.
- Deck materials will exhibit some fading, depending on sun exposure.
- To minimize stains, regularly sweep off debris.
- For mold/mildew/algae/dirt and stains use a deck cleaner recommended by your local home or hardware center. See our website for detailed cleaning instructions.
- Use a plastic shovel to remove snow.
- Rinse deck if calcium chloride or rock salt was applied.

### TRADITIONAL WOOD SUBSTRUCTURE

- Deck should be installed on a traditional pressure treated wood substructure that has been built according to local building codes.
- Before installing, use Flashing and Joist Covers by Master Mark Plastics to protect against the moisture and debris that causes traditional lumber to rot.

### JOIST SPANS

- Check local building codes for footing specifications. Joist spacing for residential is 16" on center and 12" on center for commercial.
- If running your deck at a 45° angle to the joist, joist spacing needs to be reduced to 12" on center.
- Stair stringers should be placed 12" on center.

Product	Nominal Size	Actual Size
Rhino Solid	5/4" x 6" x (12', 16', 20')	15/16" x 5 3/8" x (12', 16', 20')
Rhino Vision	5/4" x 6" x (12', 16', 20')	15/16" x 5 3/8" x (12', 16', 20')
2" x 4"	2" x 4" x 12'	1 1/2" x 3 1/2" x 12'
2" x 6"	2" x 6" x (12', 16')	1 1/2" x 5 1/2" x (12', 16')
Fascia Board	1/2" x 8 1/2" x 8'	1/2" x 8 9/16" x 8' 1"
Fascia Molding	2 1/2" x 1" x 8'	1 5/8" x 15/16" x 8' 1"
Baluster	2" x 2" x (31.5", 41.5")	1 3/16" x 1 3/16" x (31.5" 41.5")
Rail	3" x 3" x (6', 8')	2 3/4" x 2 3/4" x (6', 8')
Post Sleeve	4" x 4" x (49", 96")	4 3/4" x 4 3/4" x (49", 96")
Post Cap	4 3/4" x 4 3/4"	4" x 4"
Top Support Bracket		1 1/8" x 3 1/2" x 2"
Bottom Support Bracket		1 1/8" x 2" x 2"
Stair Rail Bracket		1 1/8" x 4" x 2"
Joist Cover	2" x 1" x 8'	1 5/8" x 5/8" x 8'
Flashing	2" X 4" X 8'	1 1/2" X 3 15/16" X 8'1"

### BUTT JOINTS

See Step #5 on reverse side of instructions to add supporting joists.

### PRE-DRILLING

- Pre-drill a clearance hole in only the deck board, not the stringer or joist at least 2" away from the end of the boards. Use a counter-sinking drill bit to allow for head clearance. Drill the screws in perpendicular (not at an angle).

### TOOLS AND FASTENING

- Use standard wood working tools. Carbide tipped tools and quality deck screws are recommended for a clean appearance.
- Use #9, #10 x 2" or longer deck screw, removing shavings before sinking screws. Sink screws slightly below the surface so the finish doesn't wear off your fasteners.
- Do not overdrive, countersink for screw head or splitting can occur.
- Do not nail.
- Assure proper spacing for solid boards with a free spacing tool available where you purchase your Rhino Deck.

### GAPPING

- Install at the mean temperature of your geographical area. The temperature of composite lumber should be at least 45° F at the time of installation. This is not the same as air temperature.
- Use 1/4" width gap between the sides of the boards to allow for thermal expansion, water drainage and stringer shrinkage.
- For board ends allow 1/16" for every 20° F difference between installation temperature and your hottest average temperature. Regardless of temperature a 1/16" minimum gap is required. Failure to do so will void all warranties and liabilities.

### IMPORTANT

There must be no ground contact with deck stringers. Rhino Deck boards can NOT be installed directly on old deck boards or cement.



Installation Questions?  
Call 1-320-243-7318

# INSTALLATION GUIDE

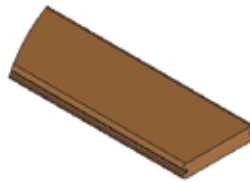
## PART 2

Begin installation by reading reverse side



### Before You Begin:

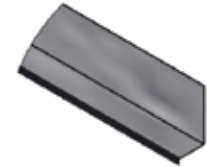
- Review local building codes
- Read all assembly instructions
- Become familiar with part names



Rhino Vision



Rhino Clip



Rhino Flashing

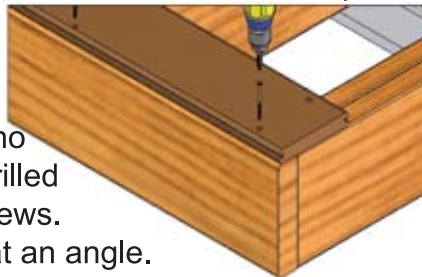
### STEP 1:

Add a support joist to the inside of the two outer joists. Insert the black plastic Flashing deck guard so that the shorter edge rests over the house ledger wood board and the longer plastic edge is inserted behind the house siding. Add notches in the Flashing to clear wood joists as needed. Add support blockings between joists on 4' center.



### STEP 2:

Pre-drill and counter sink clearance holes starting 2 1/4" in from end and 1" from outer edge of Rhino Vision deck board. Space holes on 16" center along the outer edge and 3 3/4" on center along the support joist (added in Step 1). Screw down the first Rhino Vision deck board using the pre-drilled holes. Use #9 x 2" Trim Head Screws. Drill screws in perpendicular, not at an angle. DO NOT OVERDRIVE. Splitting may occur.



### STEP 3:

Place a Rhino Deck clip in the groove of the Rhino Vision deck board centered over each joist. Tilt Rhino Deck clip at approximately 10 ° and fasten screw with a #1 square head driver.



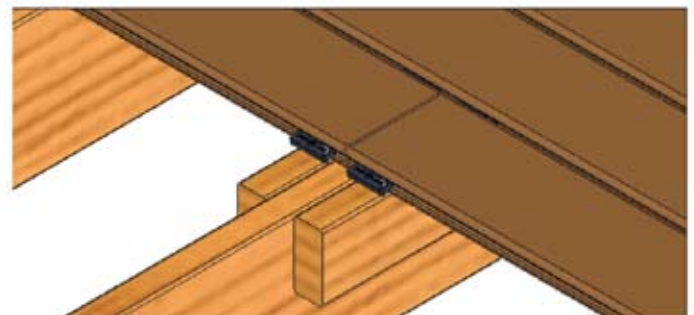
### STEP 4:

Starting at one end, slide your next Rhino Vision deck board onto the exposed Rhino Deck clips. Tap board firmly with a heavy duty rubber mallet until seated. Add the next row of Rhino Deck clips as shown in Step 3. Add two screws 2 1/4" from each end along the two outer support joists (see Step 2). Continue to measure off the end of the deck so the last board doesn't have to be trimmed lengthwise.



### STEP 5:

When butt joints are used add supporting joists (2" x 4" minimum) and install two Rhino Deck clips per Rhino Vision deck board joint.



### STEP 6:

Trim the last board as required to fit allowing 1/4" clearance from the house. Pre-drill and counter sink clearance holes starting at 2 1/4" from end and 1" from outer edge on 16" center along edge. Add a second hole along the support joist (added in Step 1). Screw down the last Rhino Vision deck board using the pre-drilled locations. Use #9 x 2" Trim Head screws. DO NOT OVERDRIVE. Splitting may occur. Drill screws in perpendicular, not at an angle.

